

LCDA357H Closed Loop Stepper Driver User Manual

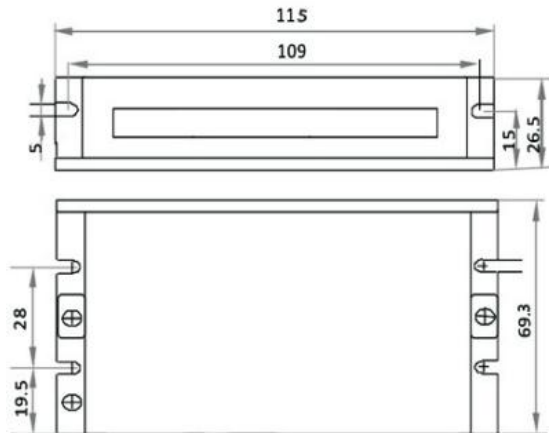
1.Functional Characteristics:

- voltage input range: 18~50 VDC
- max peak current: 7A
- subdivision range: 200~51200ppr
- pulse: pulse+direction、CW/CCW
- pulse response frequency: 0~200KHz
- motor parameter automatic turning performance
- overvoltage,overcurrent,tracking error performance

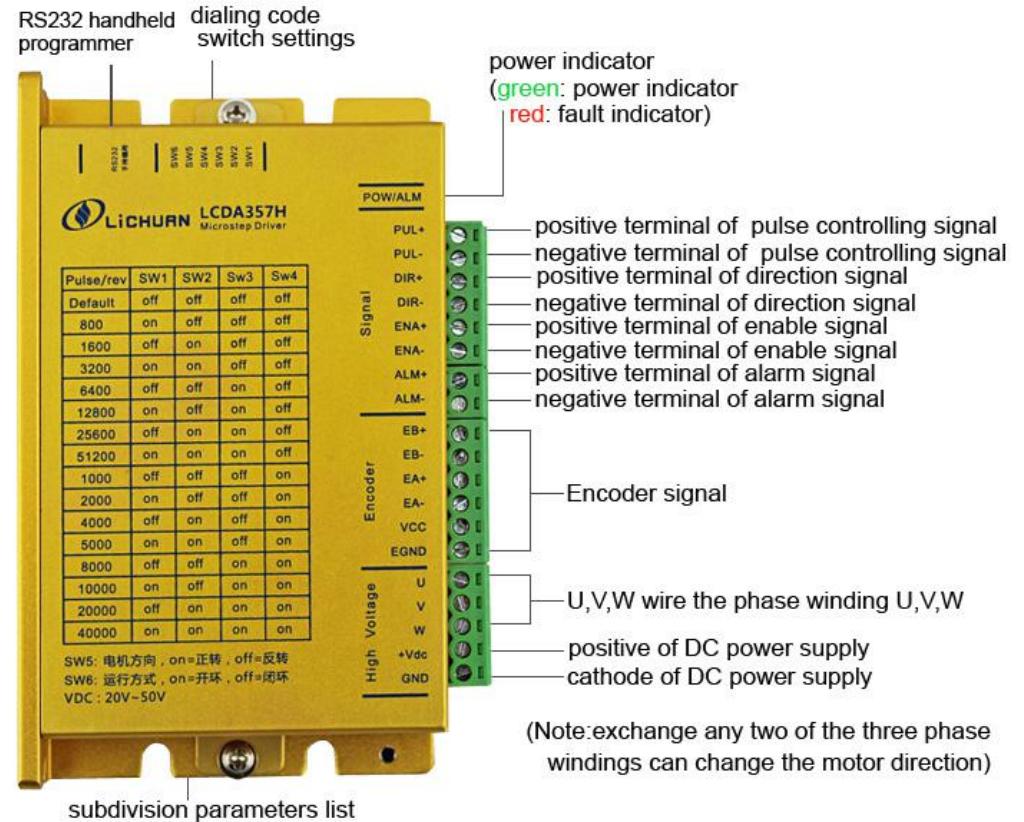
2.Using Environment and Parameters

- store environment: $-20^{\circ}\text{C}\sim 80^{\circ}\text{C}$
- using environment: $0^{\circ}\text{C}\sim 55^{\circ}\text{C}$
- using humidity: 90%RH (not condensation)
- vibration frequency: less than 0.5G (4.9m/s²)
10Hz~60Hz(not continuous operation)

3.Install Size (mm)



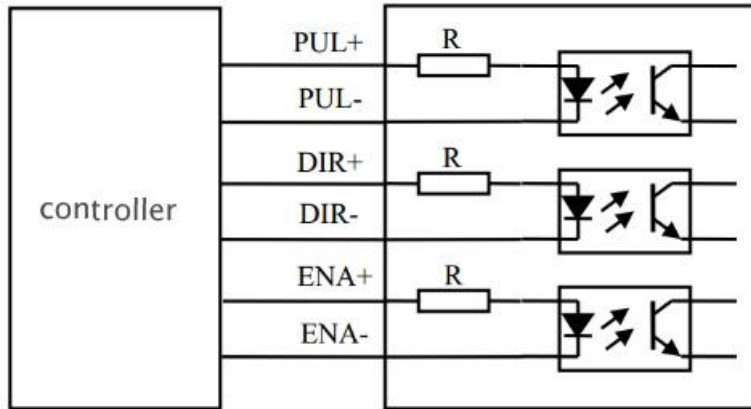
4.Driver Port Pin Instruction



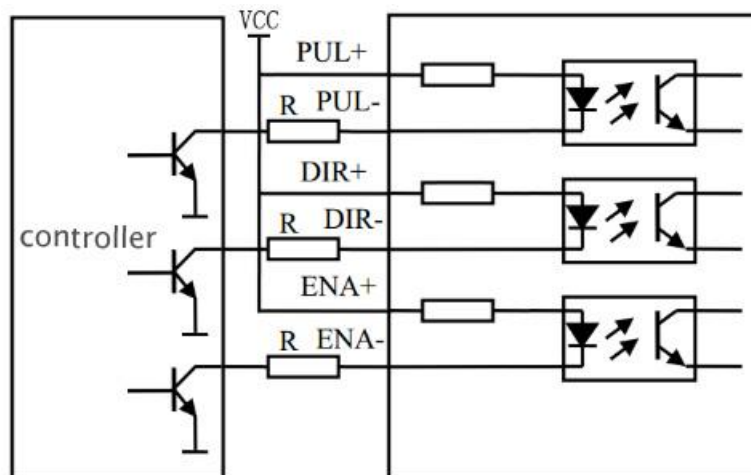
(Note:exchange any two of the three phase windings can change the motor direction)

5. Control Port Wiring Method

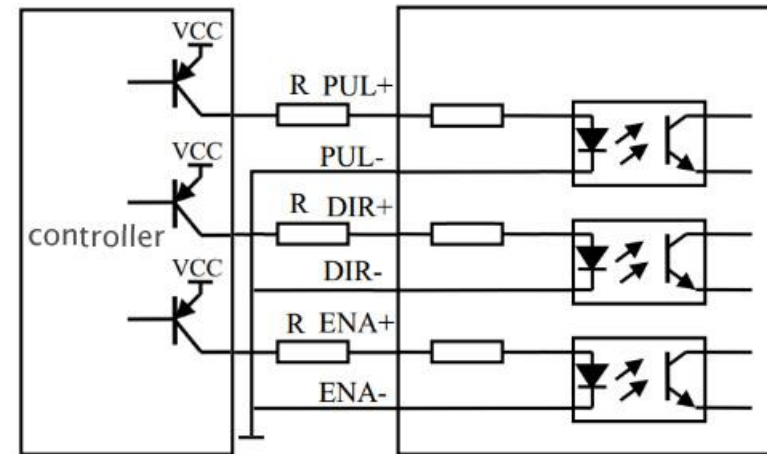
- differential signal input wiring



- common anode wiring



- common cathode wiring



Notice: when control signal voltage $VCC = 24V$,

The current-limiting resistance $R = 3K$;

when control signal voltage $VCC = 5V$,

The current-limiting resistance $R = 0K$.

6. Dial Switch Setting

The current can be setting automatically of this series of drivers , so don't need to manually set current, don't need to set by hand . The corresponding functions of dial switches are as follows:

- SW1~SW4 : Driver subdivision setting (See the drive shell segment table)
- SW5 : motor direction setting
- SW6 : switch open loop to closed loop operating mode