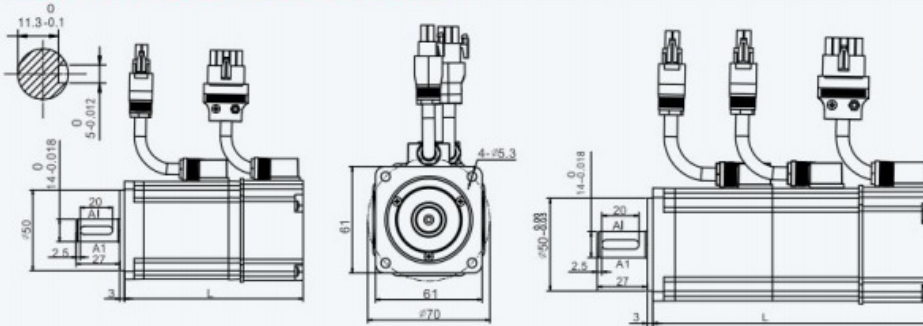


60 SY Series AC servo motor



Temperature	0°C -55°C
Number of pole pairs	4
Incremental encoder line	2500/5000PPR
Absolute encoder	17/33bit, 22/38bit, 23/39bit
Humidity is less than	90%
Insulation class	B
Safety Class	IP65
Insulation and voltage resistance	AC 1500V, 1 Minute
Insulation resistance	DC500V, 10Ω above
Structure	Plastic packaging, Self-cooling
Vibration	Under 2.5G
Altitude	Under 1000m
Work system	Continuous
Installation Method	Flange installation

Installation Dimension unit=mm



Model	L (mm) Incremental encoder	LA (mm) with brake	L (mm) Absolute encoder
60SY-M00630	110	148	115
60SY-M01330	133	171	138
60SY-M01930	154	192	159

*All above is the standard installation dimension, can be changed according to the customers' requirements
*Not hit the shaft, or the encoder in the other end would be damaged.

Specifications

Motor Model	60SY-M00630S	60SY-M01330S	60SY-M01930S
Rated Power(w)	200	400	600
Rated Torque(N.m)	0.637	1.27	1.91
Max Torque(N.m)	1.91	3.81	5.4
Rated Speed(rpm)	3000	3000	3000
Max Speed(rpm)	3600	3600	3600
Input Voltage (V)	(AC 220)		
Rated Current(A)	1.3	2.7	3.7
Rotor Inertia(KG.m ²)	0.264X10 ⁻⁴	0.407X10 ⁻⁴	0.526X10 ⁻⁴
Motor Weight (Kg)	1.18	1.70	2.10

Winding connection table

Winding wire	U	V	W	PE
Socket Number	1	2	3	4

Note : Brake voltage is DC 24V (Non polar requirement)

Brake Wiring	Brake	Brake
Socket number	1	2
Brake voltage	DC24V	

The encoder connection table

Signal Definitions	5V	0V	A+	B+	Z+	A-	B-	Z-	U+	V+	W+	U-	V-	W-	PE
Socket Number	2	3	9	4	7	13	14	5	6	10	11	8	12	15	1
Absolute signal definitions	PE		GND		VB		SD-		GND 0V		SD		Vcc 5V		
Socket Number	1		2		3		4		5		6		7		